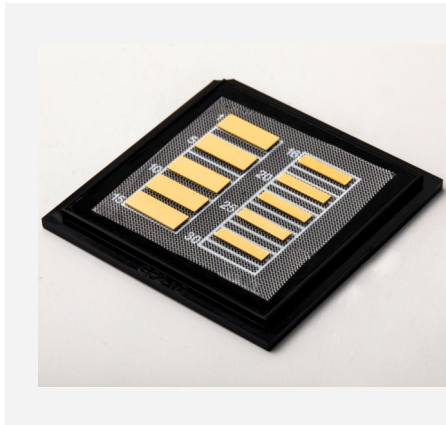


Advanced Materials

FL-AMM series



Features

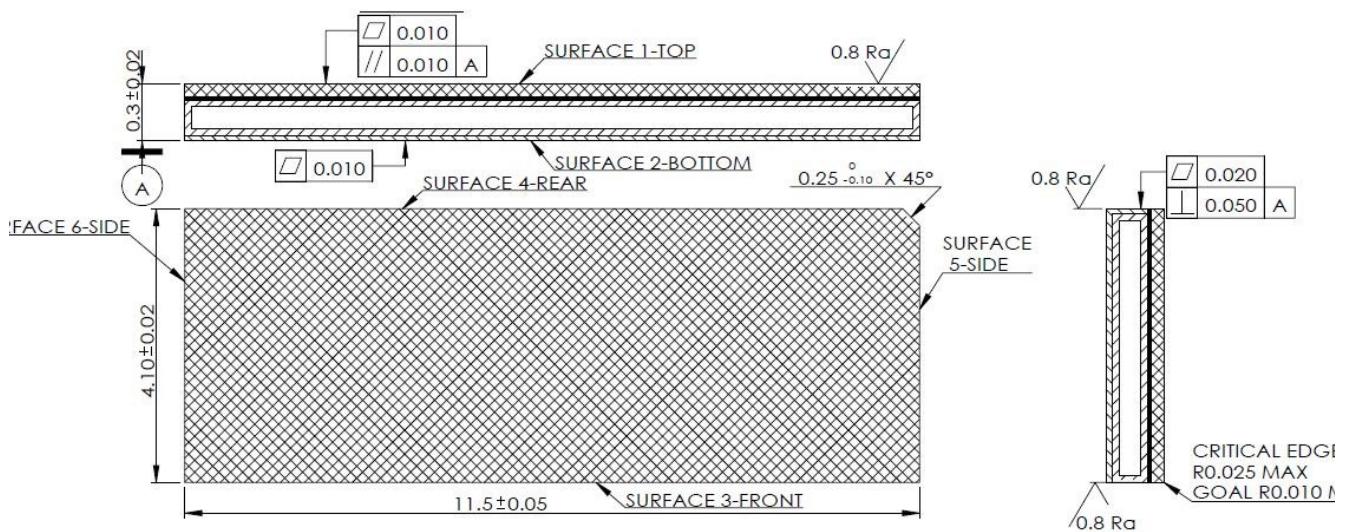
- AuSn pre-deposited
- Low thermal resistance
- CTE matched for bonding
- High reliability

Applications

- Industrial application
- IT
- Scientific Research and Engineering

Product Dimensions (mm)

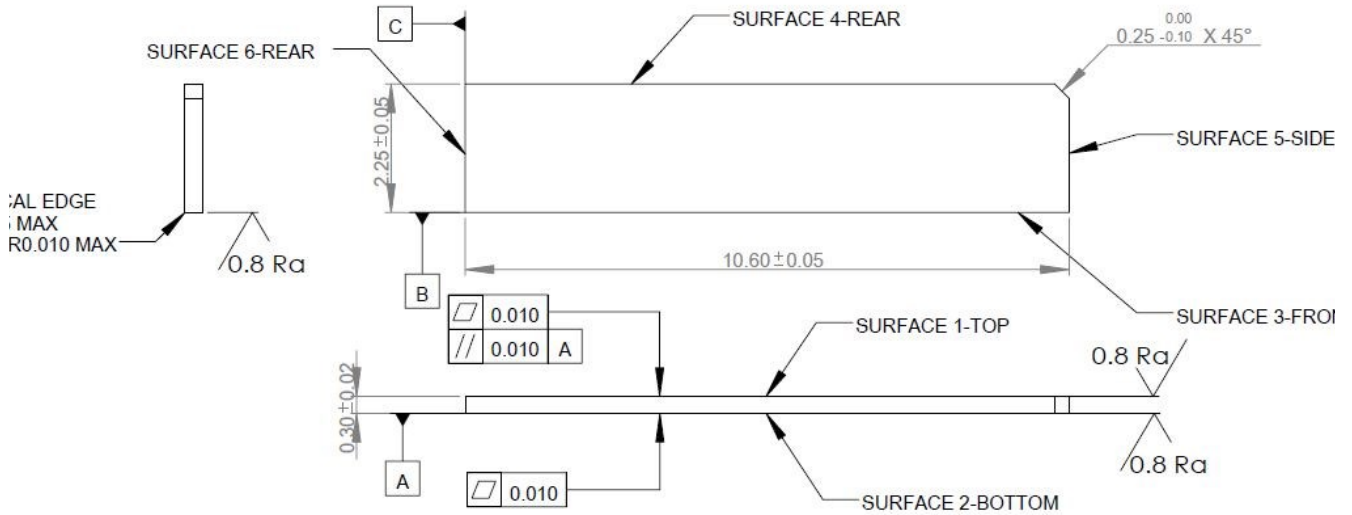
FL-AMM-11541003



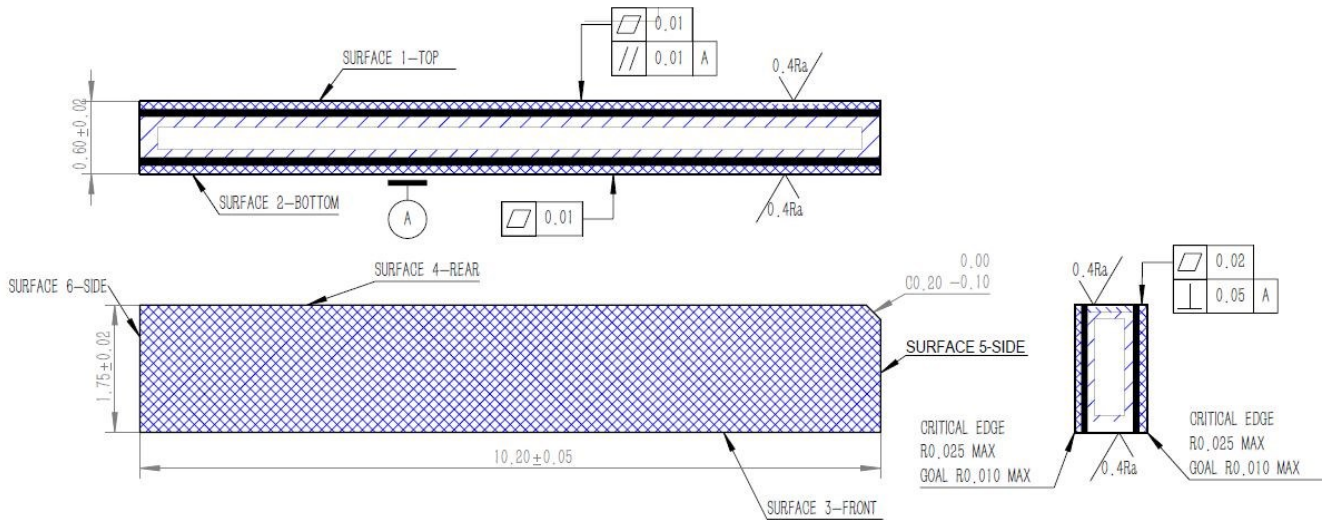
Remark: The structure drawing is for reference only. Please feel free to contact us for any special requirements.

Product Dimensions (mm)

FL-AMM-10622503



FL-AMM-10217506



Remark: The structure drawing is for reference only. Please feel free to contact us for any special requirements.

Product Specifications

Product Code	AMM000001	AMM000002	AMM000003
Part No. ¹	FL-AMM-11541003	FL-AMM-10622503	FL-AMM-10217506

Dimension Parameters	Unit	Value	Value	Value
Length	mm	11.5	10.6	10.2
Width	mm	4.10	2.25	1.75
Thickness	mm	0.30	0.3	0.6
Ni Thickness	μm	≥1.0	≥1.0	≥1.0
Au Thickness	μm	≥0.25	≥0.25	≥0.25
AuSn Thickness	μm	6.0+/-1.0	6.0+/-1.0	6.0+/-1.0
AuSn Coating Surface	\	Single sided	Single sided	Double sided

Performance Parameters				
Melting Point	°C	280-320	280-320	280-320
Roughness	μm	≤0.4	≤0.4	≤0.4
Warpage	μm	≤10	≤10	≤10
Thermal Resistance	%	90%	90%	90%

Storage Condition ²				
Storage Environment	\	Nitrogen Environment	Nitrogen Environment	Nitrogen Environment
Environment Temperature	°C	22+/-3	22+/-3	22+/-3
Relative Humidity	%	20-30	20-30	20-30
Warranty	month	12	12	12

¹Part No. = Brand Code - Series - Specification.

²Exceeding storage conditions may cause product performance reduction.