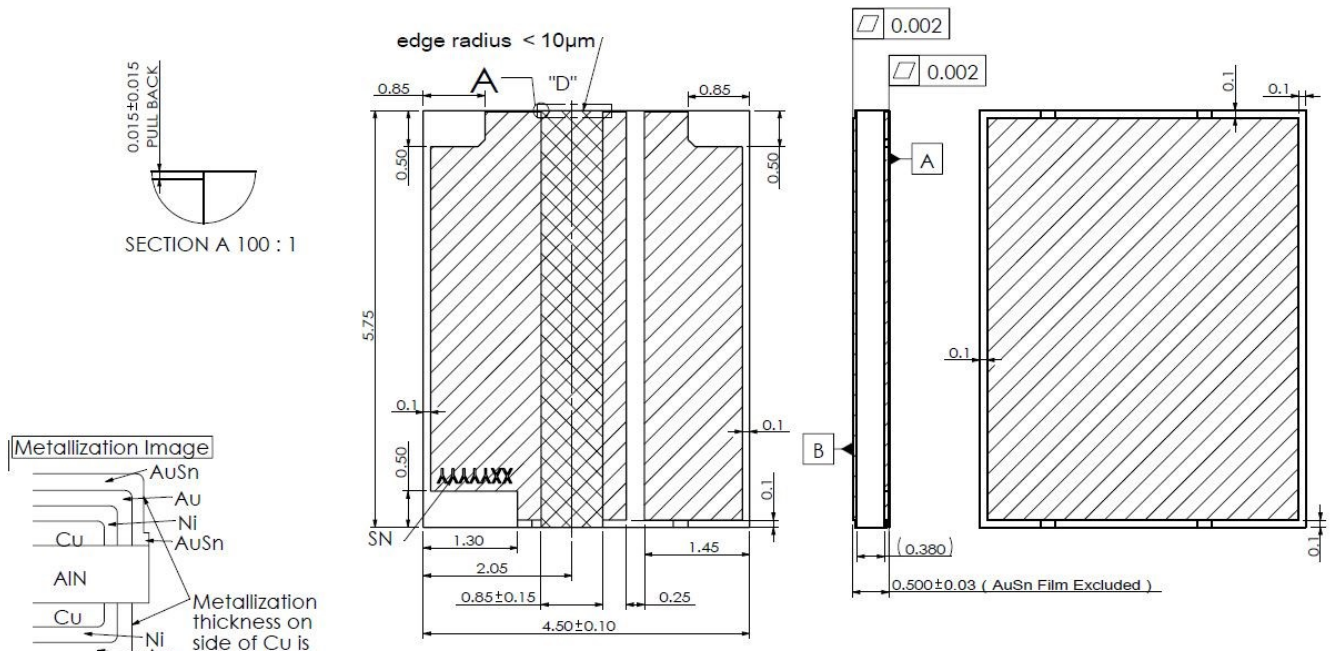
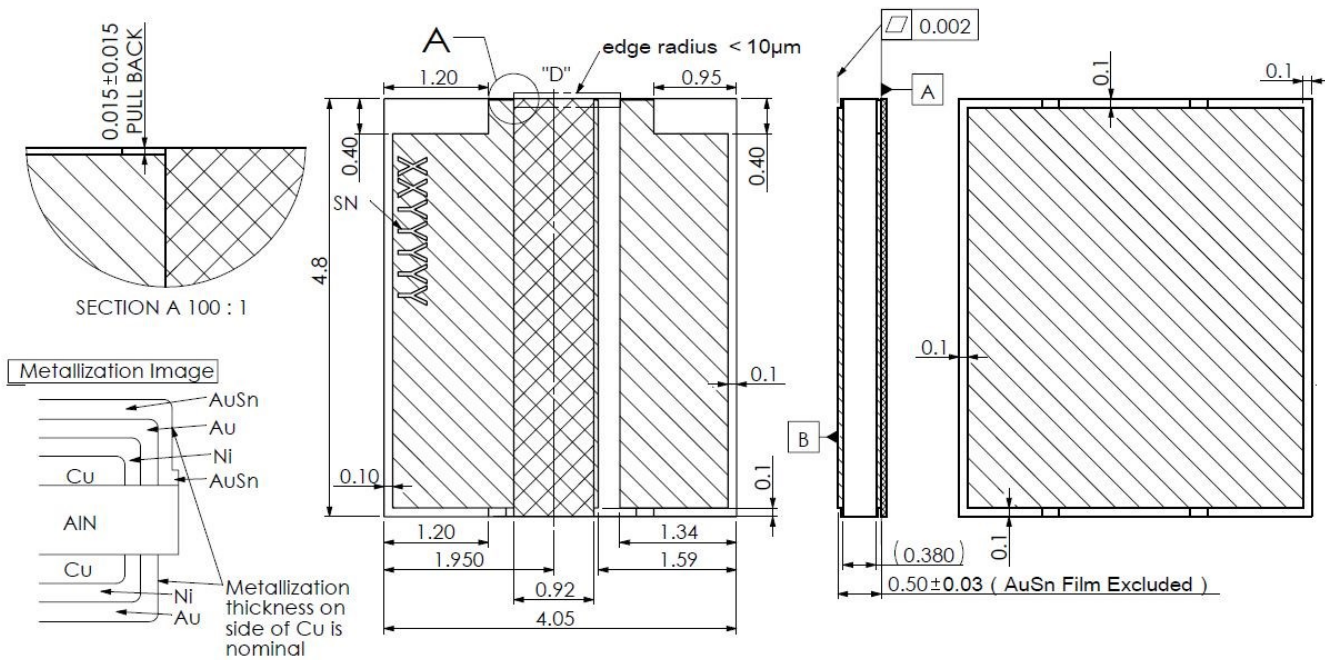


Product Dimensions (mm)

FL-AMC-4557



FL-AMC-4048



Remark: The structure drawing is for reference only. Please feel free to contact us for any special requirements.

Product Specifications

Product Code	AMC000001	AMC000002	AMC000003
Part No. ¹	FL-AMC-4045	FL-AMC-4557	FL-AMC-4048

Dimension Parameters	Unit	Value	Value	Value
Length	mm	4.50+/-0.05	5.75+/-0.05	4.80+/-0.05
Width	mm	4.00+/-0.05	4.50+/-0.05	4.05+/-0.05
Thickness	mm	0.50+/-0.03	0.50+/-0.03	0.50+/-0.03
Pullback	μm	15+/-15	15+/-15	15+/-15
Au Thickness	μm	≥1.0	≥1.0	≥1.0
AuSn Thickness	μm	6.0+/-1.0	6.0+/-1.0	6.0+/-1.0

Performance Parameters				
Melting Point	°C	280-320	280-320	280-320
Roughness	μm	≤0.4	≤0.4	≤0.4
Flatness	μm	≤2.0	≤2.0	≤2.0
Thermal Resistance	K/W	≤2.1	≤2.1	≤2.1

Storage Condition ²				
Storage Environment	\	Nitrogen Environment	Nitrogen Environment	Nitrogen Environment
Environment Temperature	°C	22+/-3	22+/-3	22+/-3
Relative Humidity	%	20-30	20-30	20-30
Warranty	month	12	12	12

¹Part No. = Brand Code - Series - Specification.

²Exceeding storage conditions may cause product performance reduction.