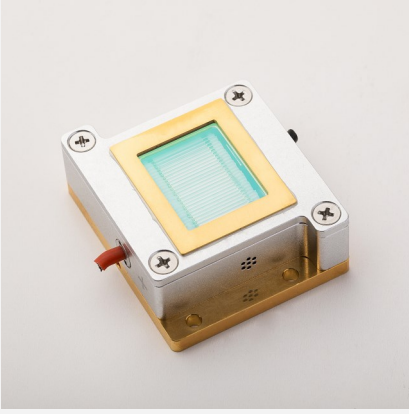
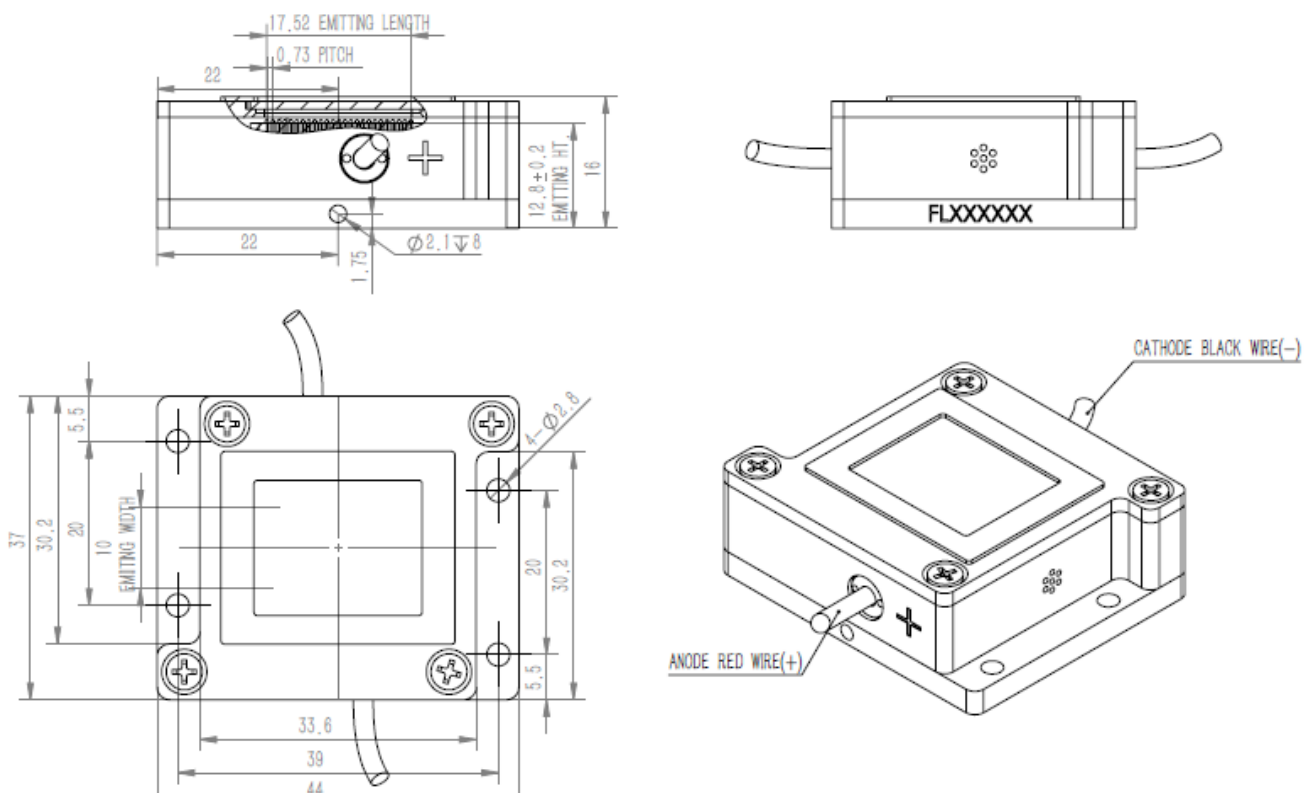


Conduction Cooled QCW Vertical Stack Diode Laser GS02 Series

	<h3>Features</h3>	<h3>Applications</h3>
	<ul style="list-style-type: none"> • AuSn Bonding • High reliability • Narrow spectrum • High peak power • High temperature application • Compact Size 	<ul style="list-style-type: none"> • Pumping • Illumination • Industry • Research

Product Dimensions (mm)



Remark: The structure drawing is for reference only. Please feel free to contact us for any special requirements.

Product Specifications

Product Code **GST000008**
Part No. ¹ FL-GS02-25X1-3750-808-Y-S-(Q)

General Data	Unit	Value
Operation Mode	-	QCW
Pulse Width	µs	200
Duty Cycle	%	0.5
Bar Pitch	mm	0.73

Optical Data	Unit	Value
Centroid Wavelength	nm	808
Wavelength Tolerance	nm	± 2
Output Power per Bar	W	150
Number of Bars	-	25
Spectral Width FWHM	nm	≤ 4
Spectral Width 90% Energy	nm	≤ 6
Fast Axis Divergence (FWHM)	°	35 (typical)
Fast Axis Divergence with FAC	°	≤ 5°
Slow Axis Divergence (FWHM)	°	8 (typical)
Polarization Mode	-	TE
Wavelength Temp. Coefficient	nm / °C	~ 0.28

Electrical Data	Unit	Value
Operation Current	A	≤ 180
Threshold Current	A	≤ 40
Operating Voltage per Bar	V	≤ 2
Slope Efficiency per Bar	W / A	≥ 1
Power Conversion Efficiency	%	≥ 50

Thermal Data	Unit	Value
Operating Temperature	°C	-45 ~ 60
Storage Temperature ⁴	°C	-55 ~ 85

¹ Part No. = Brand Code - Series - Power - Centroid Wavelength - Variant Code.

² Reduced lifetime if used above nominal operating conditions.

³ A non-condensing environment is required for storage and operation below ambient dew level.

