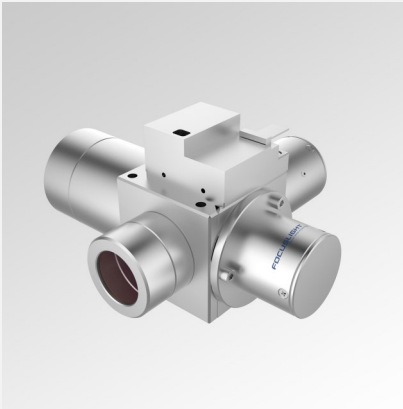


Industrial Laser System for Material Processing

Activation Series - Laser Process Heads



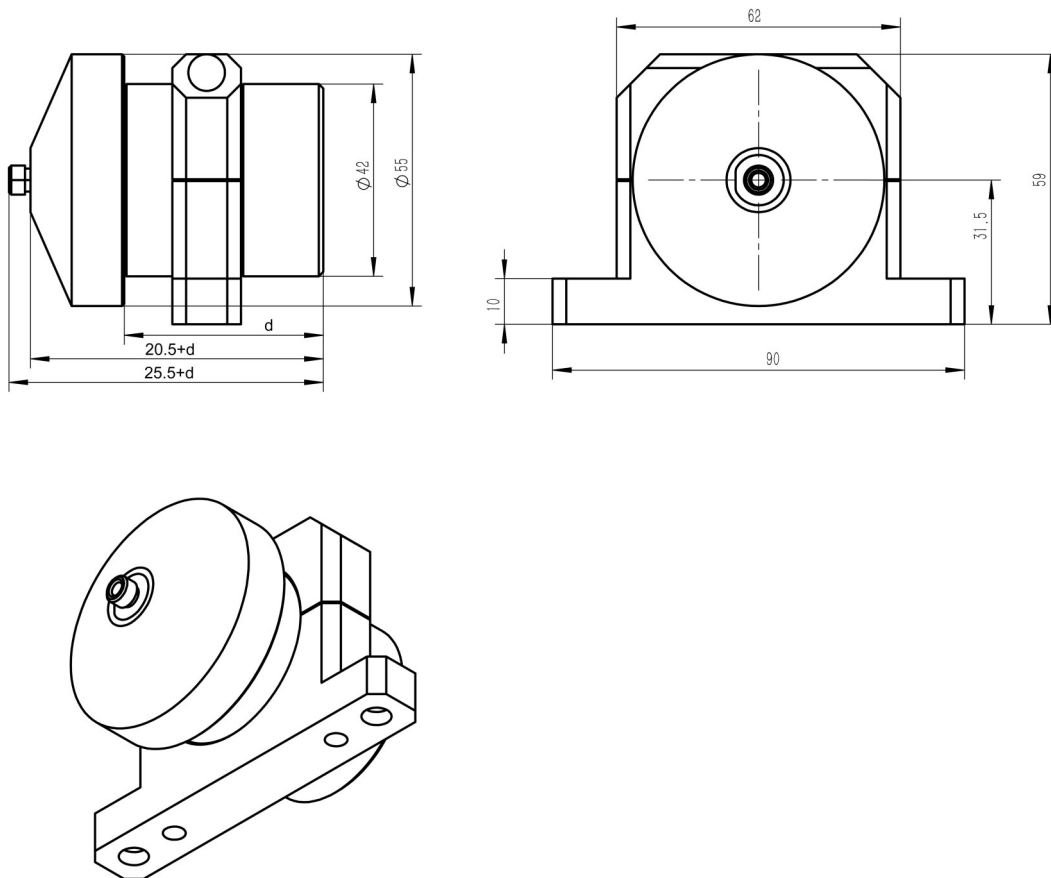
Features

- Optimized beam shaping
- Perfect process tool for welding and soldering
- Safe process data transfer
- Individual software package

Applications

- Material processing
- Laser annealing
- Laser reflow soldering
- Laser bonding
- Plastic welding
- Laser non-contact heating

Product Dimensions (mm)



Remark: The structure drawing is for reference only. Please feel free to contact us for any special requirements.

Product Specifications

Product Code	ACT000028	ACT000033
Part No. ¹	LM-LPH-LD80-R-18-200	LM-LPH-SMA-R-18-75

General Data	Unit	Value	
Housing Material	-	Anodized Aluminum	Anodized Aluminum
Dimensions (length × width × depth)	mm	90 × 59 × 69	90 × 55 × 69
Mounting Threads (on both sides)	-	2 × M6	2 × M6
Fiber Connector Types	-	LD80	SMA905
Length d (shown in the picture)	mm	43.5	43.5
Weight	g	400	400

Optical Data			
Max. Laser Power (CW)	W	500	120
Wavelength Range	nm	790 - 990	800 - 1000
Max. Numerical Aperture	-	0.23	0.23
Max. Fiber Core Diameter	μm	600	600
Transmission Rate	-	90% (typ. 95%)	90% (typ. 95%)
Collimation Focal Length	mm	18	18
Focusing Focal Length	mm	200	75
Working Distance	mm	180 ± 10	55 ± 5
Beam Size FWHM with 200μm Fiber	μm	2300	840
Beam Size (90% PE) with 200μm Fiber ²	μm	3400	1300
Beam Size FWHM with 400μm Fiber	μm	4600	1680
Beam Size (90% PE) with 400μm Fiber ²	μm	5600	2100
Max. Divergence with 200μm Fiber ³	mrad	-	-
Max. Divergence with 400μm Fiber ³	mrad	-	-

Thermal Data			
Operating Temperature	°C	5 ~ 40	5 ~ 40
Storage Temperature	°C	15 ~ 50	15 ~ 50
Max. Housing Temperature in Operation	°C	60	60

¹ Part No. = Brand Code - Series - Fiber Connector Type - Beam Type - Collimation Focal Length - Focusing Focal Length

² PE means power enclosed.

³ FW 1/e²



Product Specifications

Product Code	ACT000035	ACT000039
Part No. ¹	LM-LPH-LD80-R-A35-250	LM-LPH-LD80-R-18-0

General Data	Unit	Value	
Housing Material	-	Anodized Aluminum	Anodized Aluminum
Dimensions (length × width × depth)	mm	90 × 59 × 69	55 × 55 × 43
Mounting Threads (on both sides)	-	2 × M6	-
Fiber Connector Types	-	LD80	LD80
Length d (shown in the picture)	mm	43.5	18
Weight	g	400	220

Optical Data			
Max. Laser Power (CW)	W	500	500
Wavelength Range	nm	790 - 990	790 - 990
Max. Numerical Aperture	-	0.23	0.23
Max. Fiber Core Diameter	μm	600	600
Transmission Rate	-	90% (typ. 95%)	90% (typ. 95%)
Collimation Focal Length	mm	35	18
Focusing Focal Length	mm	250	-
Working Distance	mm	230 ± 10	-
Beam Size FWHM with 200μm Fiber	μm	1430	-
Beam Size (90% PE) with 200μm Fiber ²	μm	1450	-
Beam Size FWHM with 400μm Fiber	μm	2840	-
Beam Size (90% PE) with 400μm Fiber ²	μm	2700	-
Max. Divergence with 200μm Fiber ³	mrad	-	12
Max. Divergence with 400μm Fiber ³	mrad	-	24

Thermal Data			
Operating Temperature	°C	5 ~ 40	5 ~ 40
Storage Temperature	°C	15 ~ 50	15 ~ 50
Max. Housing Temperature in Operation	°C	60	60

¹Part No. = Brand Code - Series - Fiber Connector Type - Beam Type - Collimation Focal Length - Focusing Focal Length

²PE means power enclosed.

³FW 1/e²

